
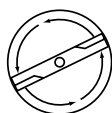


**Jonsered**

|  |  |                 |
|--|--|-----------------|
| <b>SERVICE</b><br> |  | <b>5</b>        |
|  |  | <b>I0300071</b> |

IPL, LT2114 CM, 2003-05, 106 31 02-61

J2114CMB

# LT2114 CM

**Spare parts**

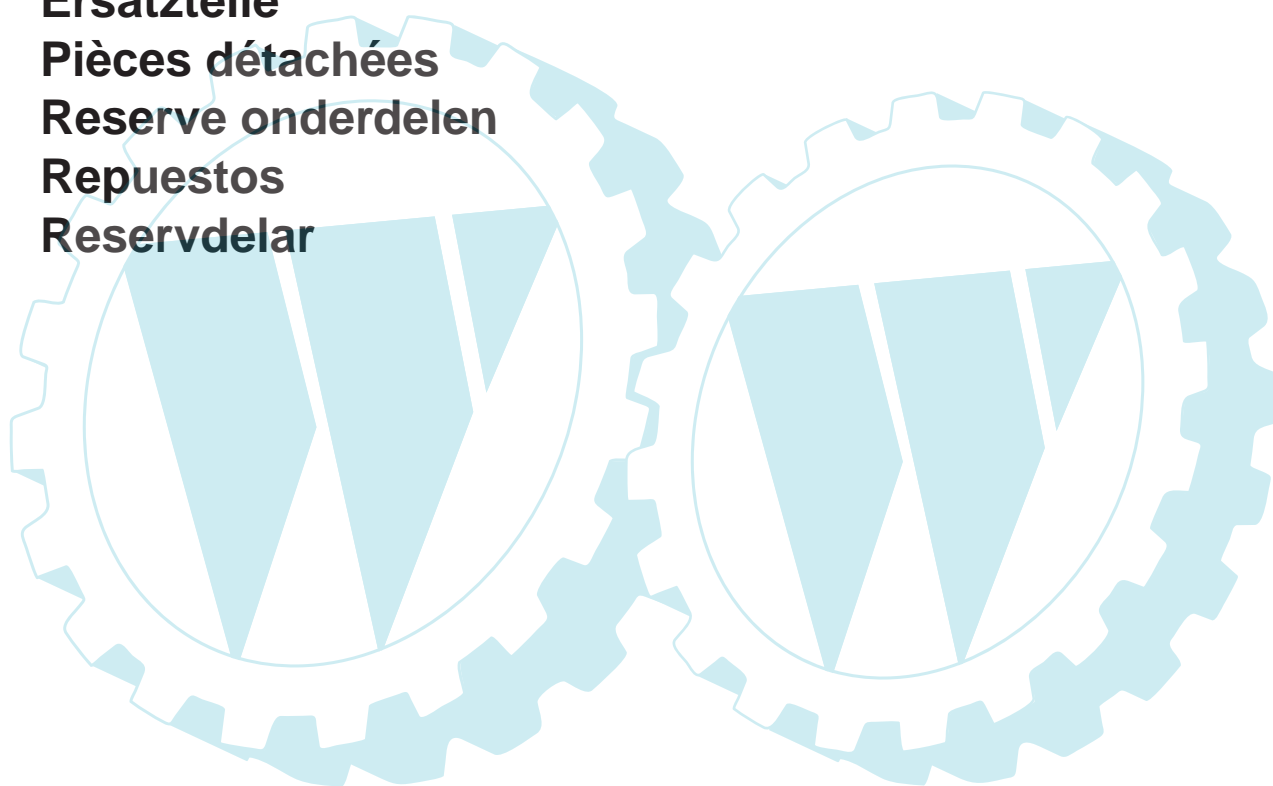
**Ersatzteile**

**Pièces détachées**

**Reserve onderdelen**

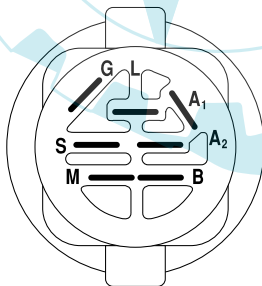
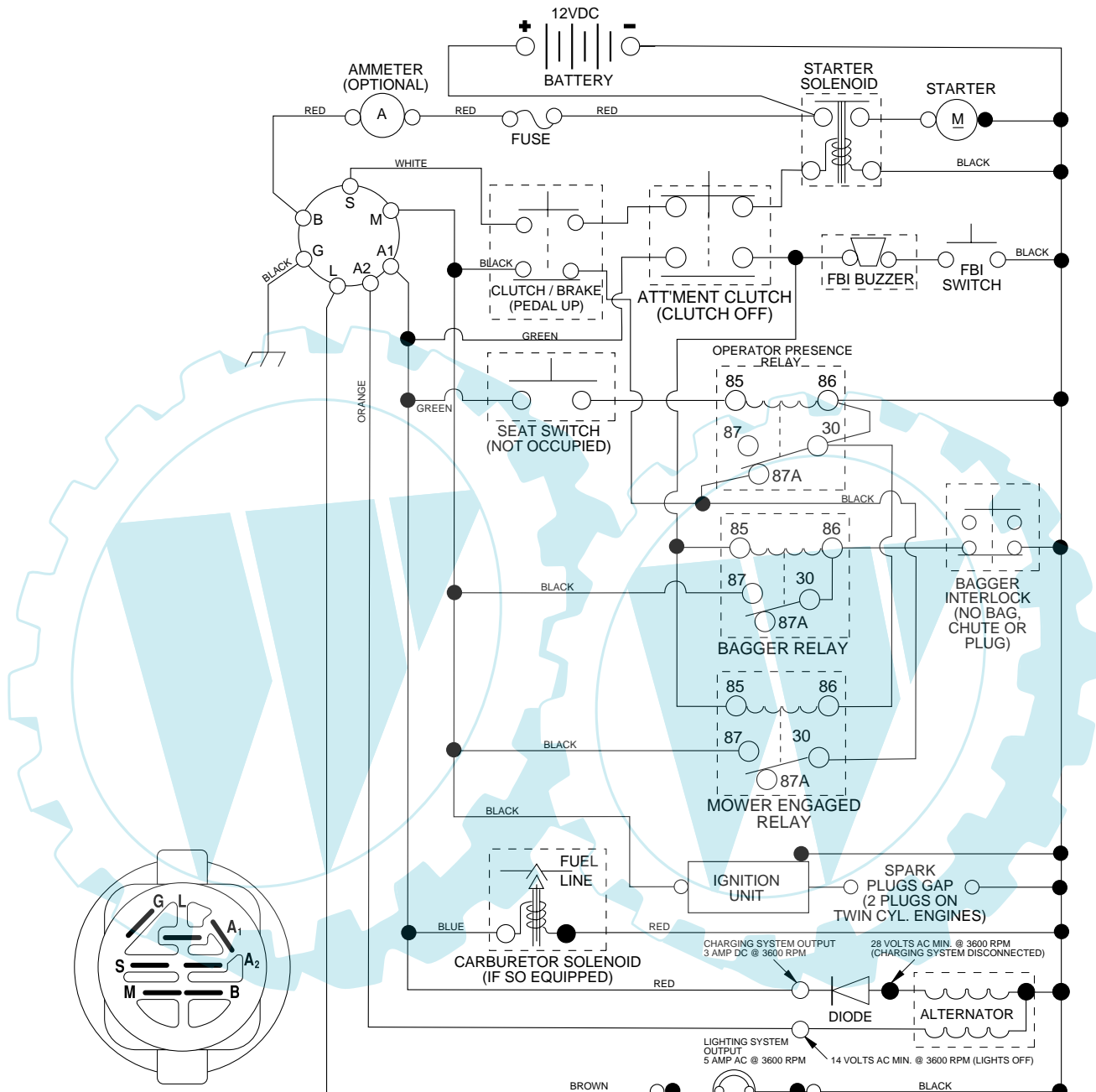
**Repuestos**

**Reservdelar**



106 31 02-61

TRACTOR- -MODEL NO.LT2114CM (J2114CMB) PRODUCT NO. 954 13 00-91  
SCHEMATIC



IGNITION SWITCH

| POSITION  | CIRCUIT    | "MAKE" |
|-----------|------------|--------|
| OFF       | M+G+A1     | NONE   |
| RUN/LIGHT | B+A1       | A2+L   |
| RUN       | B+A1       | NONE   |
| START     | B + S + A1 | NONE   |

**WIRING INSULATED CLIPS**  
NOTE: IF WIRING INSULATED CLIPS WERE REMOVED FOR SERVICING OF UNIT, THEY SHOULD BE REPLACED TO PROPERLY SECURE YOUR WIRING.

NON-REMOVABLE CONNECTIONS

REMOVABLE CONNECTIONS

PTO SWITCH

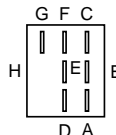
| POSITION | CIRCUIT             |
|----------|---------------------|
| OFF      | C + G, B + H        |
| ON       | C + F, B + E, A + D |

HEADLIGHTS

**NOTE**  
YOUR TRACTOR IS EQUIPPED WITH A SPECIAL ALTERNATOR SYSTEM. THE LIGHTS ARE NOT CONNECTED TO THE BATTERY, BUT HAVE THEIR OWN ELECTRICAL SOURCE. BECAUSE OF THIS, THE BRIGHTNESS OF THE LIGHTS WILL CHANGE WITH ENGINE SPEED. AT IDLE THE LIGHTS WILL DIM. AS THE ENGINE IS SPEEDED UP, THE LIGHTS WILL BECOME THEIR BRIGHTEST.

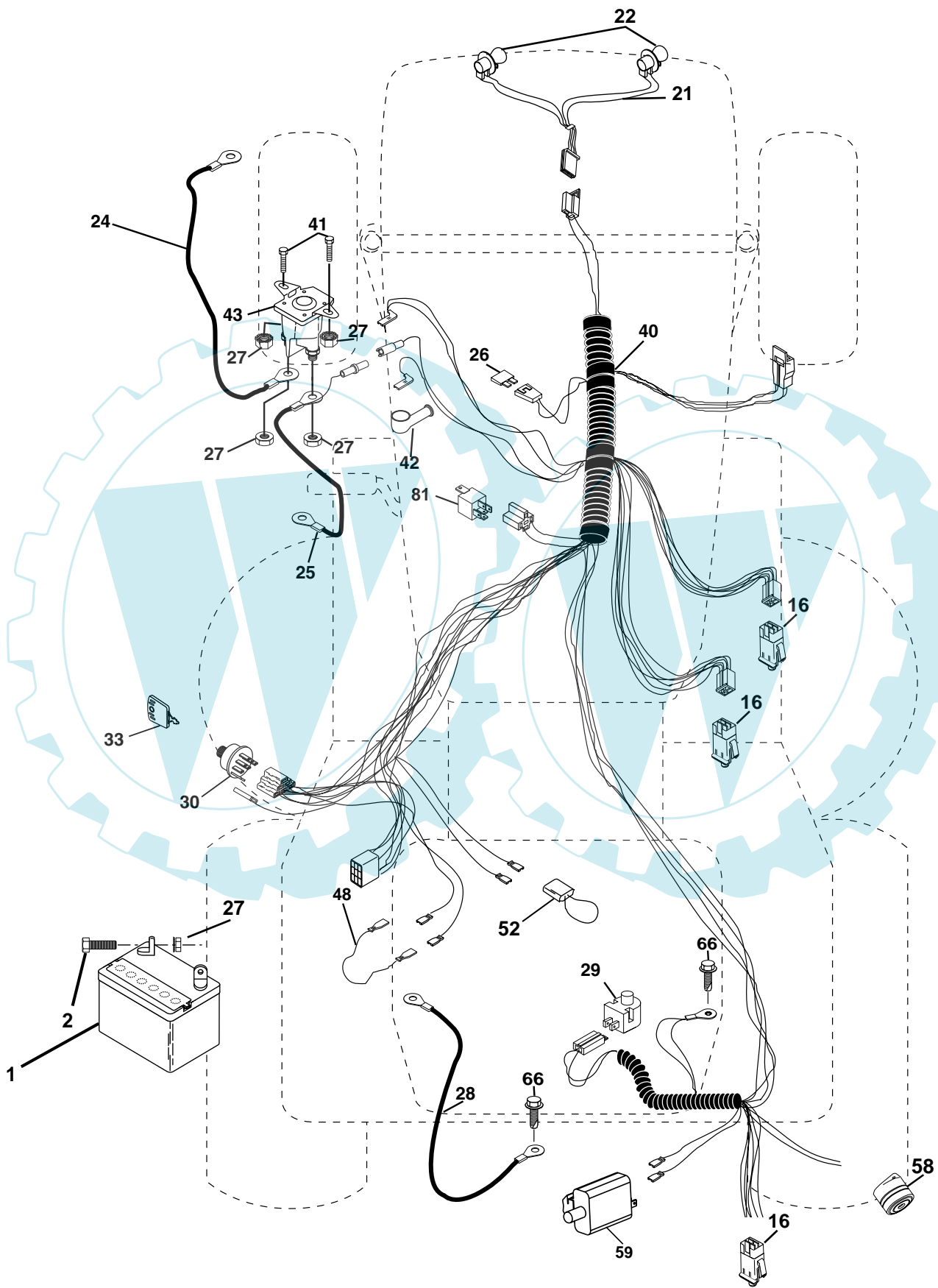


RELAY



# REPAIR PARTS

TRACTOR- -MODEL NO.LT2114CM (J2114CMB) PRODUCT NO. 954 13 00-91  
ELECTRICAL



## REPAIR PARTS

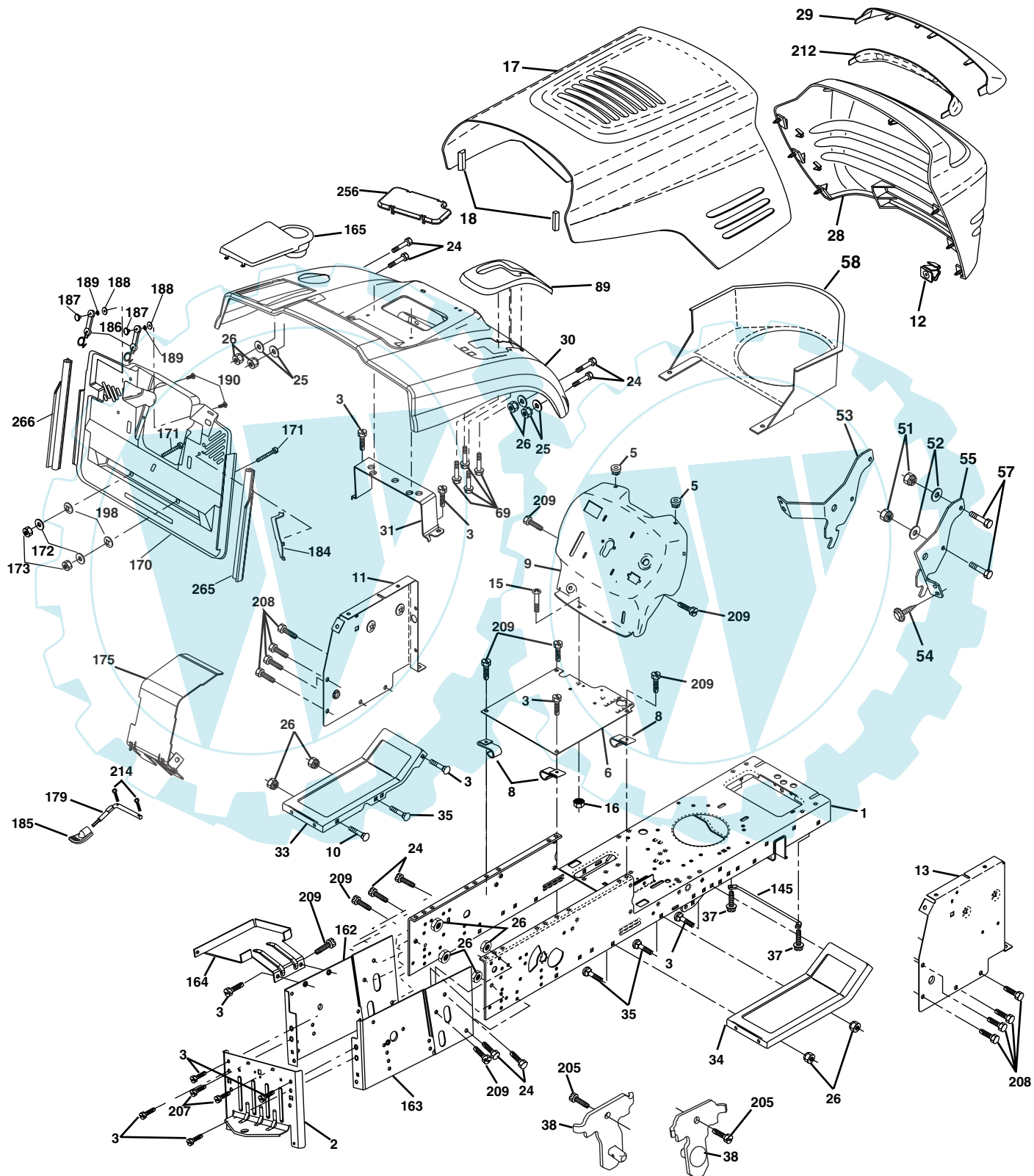
TRACTOR- -MODEL NO.LT2114CM (J2114CMB) PRODUCT NO. 954 13 00-91  
ELECTRICAL

| KEY NO. | PART NO.     | DESCRIPTION                       |
|---------|--------------|-----------------------------------|
| 1       | 532 16 34-65 | Battery 12 Volt 25 AMP Wet        |
| 2       | 874 76 04-12 | Bolt Hex Hd 1/4-20 Unc x 3/4      |
| 16      | 532 17 61-38 | Switch Interlock Push-In          |
| 21      | 532 17 56-88 | Harness Asm Light W/4152J         |
| 22      | 532 00 41-52 | Bulb Light #1156                  |
| 24      | 532 12 47-80 | Cable Starter 6Ga 11" Red         |
| 25      | 532 16 59-87 | Cable Battery Crd 56" Red         |
| 26      | 532 17 51-58 | Fuse 15 Amp                       |
| 27      | 873 51 04-00 | Nut Keps Hex 1/4-20 Unc           |
| 28      | 532 12 77-25 | Cable Ground 6Ga 18" Black        |
| 29      | 532 16 07-84 | Switch Plunger Normal Op Olive    |
| 30      | 532 17 55-66 | Switch Ignition Delta             |
| 33      | 532 14 04-01 | Key Ign Molded Delta              |
| 40      | 532 17 97-28 | Harness Ign Crd Noram             |
| 41      | 871 11 04-08 | Bolt Flk Fin Hex 1/4-20 Unc x 1/2 |
| 42      | 532 13 15-63 | Cover Terminal Red                |
| 43      | 532 17 88-61 | Solenoid                          |
| 48      | 532 14 08-44 | Adapter Ammeter Rectangular       |
| 52      | 532 14 19-40 | Protection Wire Loop              |
| 58      | 532 16 94-19 | Buzzer Crd                        |
| 59      | 532 18 03-79 | Switch FBI CRD                    |
| 66      | 817 49 06-08 | Screw Thdrol 3/8-16 x 1/2 Ty-Tt   |
| 81      | 532 10 97-48 | Relay Asm                         |

**NOTE:** All component dimensions given in U.S. inches.  
1 inch = 25.4 mm.

# REPAIR PARTS

TRACTOR- -MODEL NO.LT2114CM (J2114CMB) PRODUCT NO. 954 13 00-91  
CHASSIS AND ENCLOSURES



## REPAIR PARTS

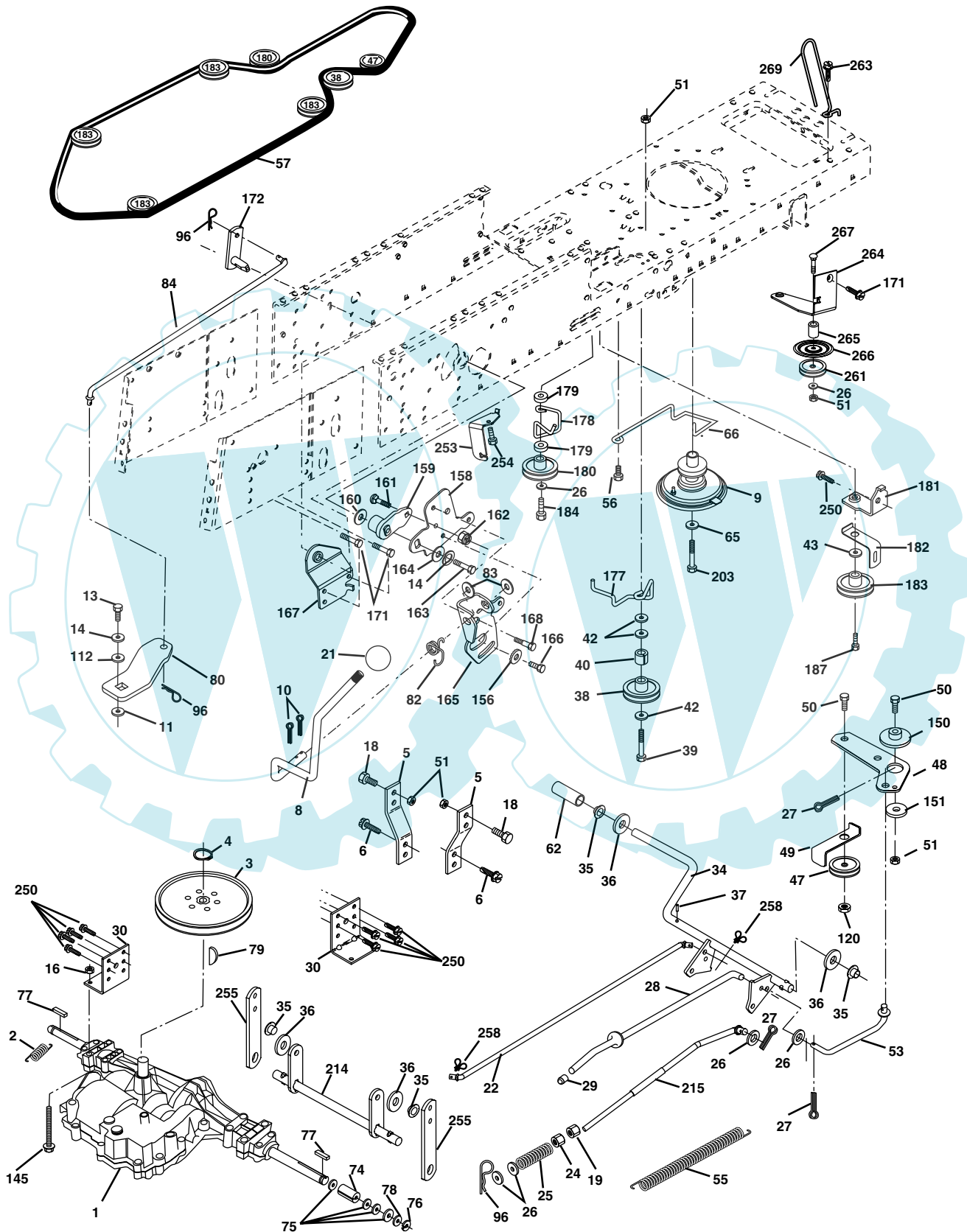
### TRACTOR- -MODEL NO.LT2114CM (J2114CMB) PRODUCT NO. 954 13 00-91 CHASSIS AND ENCLOSURES

| KEY NO. | PART NO.     | DESCRIPTION                                  | KEY NO. | PART NO.            | DESCRIPTION                      |
|---------|--------------|--|---------|---------------------|----------------------------------|
| 1       | 532 17 46-20 | Chassis Assembly                             | 58      | <b>532 15 01-27</b> | Duct Air                         |
| 2       | 532 18 03-84 | Drawbar                                      | 69      | 532 14 24-32        | Screw Hex Wsh Hi-Lo 1/4-1/2      |
| 3       | 817 06 06-12 | Screw 3/8-16 x .75 smqml Tap/R.Z             | 89      | 532 18 13-88        | Console CRD 6 Sp                 |
| 5       | 532 15 52-72 | Bumper Hood/Dash                             | 145     | 532 15 65-24        | Rod Pivot Chassis/Hood           |
| 6       | 532 18 44-19 | Saddle                                       | 162     | 532 18 03-82        | Bracket Exten Chassis Lh CRD     |
| 8       | 532 12 64-71 | Clip Insulator 13/32 Mtg. Hole               | 163     | 532 18 03-83        | Bracket Exten Chassis Rh CRD     |
| 9       | 532 18 54-80 | Dash   | 164     | 532 16 56-05        | Support Battery CRD              |
| 10      | 872 14 06-08 | Bolt, Carriage 3/8-16 x 3/4                  | 165     | 532 18 13-56        | Cover Battery CRD                |
| 11      | 532 17 49-96 | Panel, Dash, L.H.                            | 170     | 532 17 88-62        | Backplate Asm. CRD               |
| 12      | 532 14 56-60 | Clip Tinnerman Grille P/L                    | 171     | 872 14 06-20        | Bolt Hex 3/8-16 x 2-1/2 Gr. 5    |
| 13      | 532 17 21-06 | Panel, Asm. Dash R.H.                        | 172     | 819 13 20-16        | Washer 13/32 x 1-1/4 x 16 Ga.    |
| 15      | 874 18 05-12 | Screw, Machine, Truss Head 5/16-18 Unc x 3/4 | 173     | 873 51 06-00        | Nut, Keps Hex 3/8-16 UNC         |
| 16      | 873 51 05-00 | Nut  | 175     | 532 18 03-10        | Guard Door Rear CRD              |
| 17      | 532 15 07-60 | Hood Assembly                                | 179     | 532 18 03-76        | Rod Pivot FBI CRD                |
| 18      | 532 18 49-21 | Bumper Hood                                  | 184     | 532 17 46-62        | Bracket Actuator Bagger CRD      |
| 24      | 874 78 06-16 | Bolt   | 185     | 532 18 11-01        | Knob Rod Brake Parking           |
| 25      | 819 13 13-12 | Washer 13/32 x 13/16 x 12 Ga.                | 186     | 532 16 07-93        | Latch Asm Mulch/Bagger           |
| 26      | 873 80 06-00 | Nut  | 187     | 532 12 50-04        | Nut Weld                         |
| 28      | 532 17 93-51 | Grille/Lens Asm                              | 188     | 819 06 12-16        | Washer #10                       |
| 29      | 532 17 90-14 | Lens, Grille                                 | 189     | 810 07 10-00        | Washer Lock #10                  |
| 30      | 532 18 13-59 | Fender                                       | 190     | 871 08 10-10        | Screw Pan Hd Phillip 10-24 x 5/8 |
| 31      | 532 16 51-56 | Bracket, Fender Support                      | 198     | 532 16 89-37        | Nut Push                         |
| 33      | 532 18 11-93 | Footrest, L.H.                               | 205     | 817 49 06-08        | Screw                            |
| 34      | 532 18 11-94 | Footrest, R.H.                               | 207     | 817 06 05-08        | Screw 5/16-18 x 1/2              |
| 35      | 872 11 06-06 | Bolt   | 208     | 817 67 06-08        | Screw Thdrol 3/8-16 x 1/2        |
| 37      | 817 49 05-08 | Screw Thdrol 5/16-18 x 1/2 TYT               | 209     | 817 00 06-12        | Screw Hex Wsh Thdrol 3/8-16      |
| 38      | 532 18 17-48 | Pivot Bracket Assembly                       | 212     | 532 16 59-19        | Insert Lens Reflective           |
| 51      | 873 80 04-00 | Nut Lock w/Insert 1/4-20 UNC                 | 214     | 532 12 47-88        | Retainer Spring 1" Zinc          |
| 52      | 819 09 14-16 | Washer 9/32 x 7/8 x 16 Ga.                   | 256     | 532 18 13-61        | Cover Fender Rack                |
| 53      | 532 14 52-01 | Bracket Grille Pick-off LH                   | 265     | 532 18 57-04        | Seal RH Side Bagger              |
| 54      | 532 16 14-64 | Screw Hex Wshd 8-18 x 7/8                    | 266     | 532 18 57-03        | Seal LH Side Bagger              |
| 55      | 532 14 52-02 | Bracket Grille Pick-off RH                   |         |                     |                                  |
| 57      | 874 78 04-12 | Bolt, Fin Hex 1/4-20 Unc x .75               |         |                     |                                  |

**NOTE:** All component dimensions given in U.S. inches.  
1 inch = 25.4 mm.

# REPAIR PARTS

TRACTOR- -MODEL NO.LT2114CM (J2114CMB) PRODUCT NO. 954 13 00-91  
DRIVE



# REPAIR PARTS

## TRACTOR- -MODEL NO.LT2114CM (J2114CMB) PRODUCT NO. 954 13 00-91 DRIVE

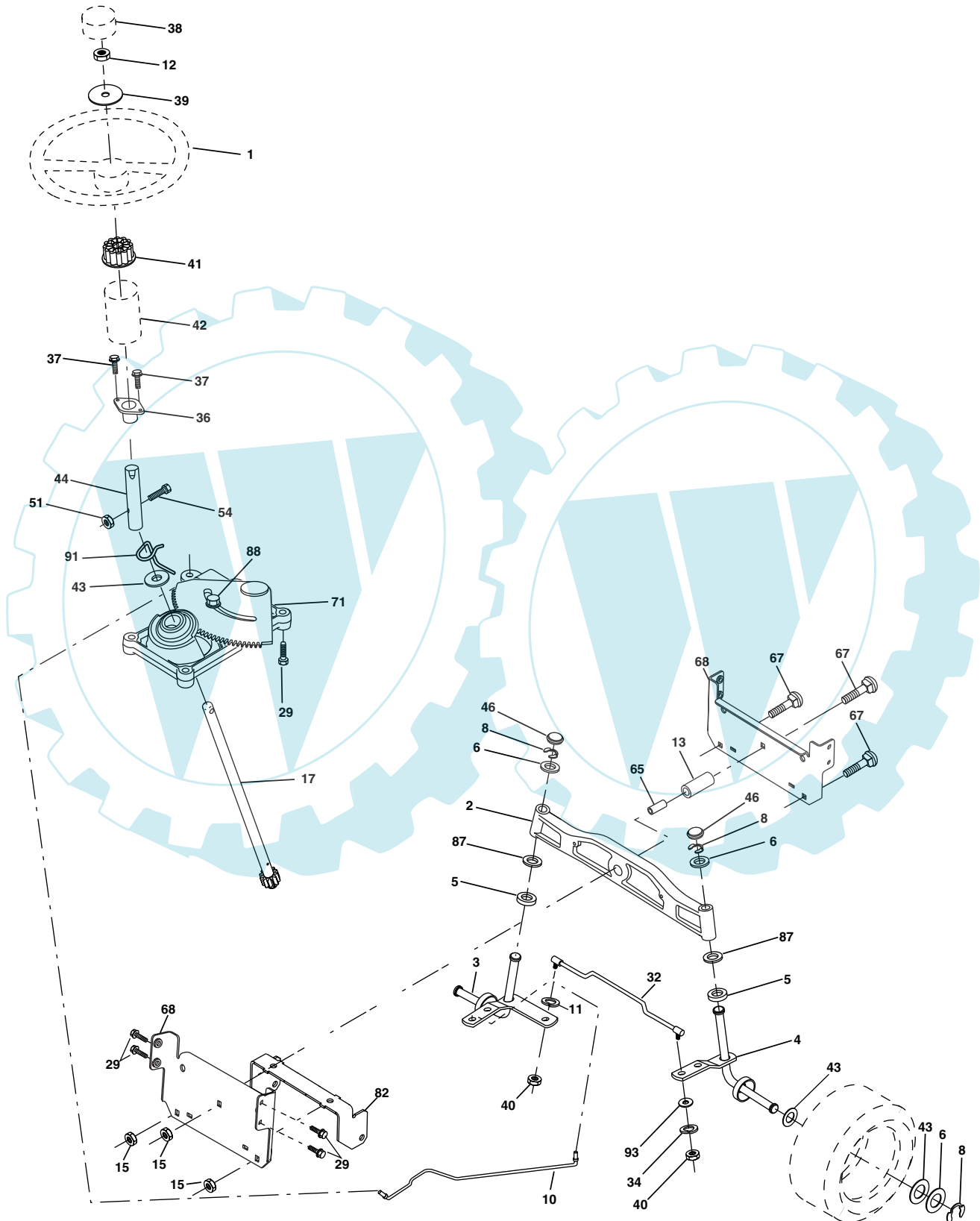
| KEY NO. | PART NO.            | DESCRIPTION   | KEY NO. | PART NO.            | DESCRIPTION                           |
|---------|---------------------|---|---------|---------------------|---------------------------------------|
| 1       | -----               | Transaxle Peerless 206-546<br>(Order parts from transaxle manufacturer) | 79      | 532 12 50-96        | Key Woodruff                          |
| 2       | 532 14 66-82        | Spring Brake Return   | 80      | 532 14 50-90        | Arm Shift PMST 20" Tires              |
| 3       | 532 16 59-99        | Pulley Transaxle  | 82      | 532 16 57-11        | Spring, Torsion                       |
| 4       | 812 00 00-28        | Ring Retainer #5100-62  | 83      | 819 17 12-16        | Washer 17/32 x 3/4 x 16 Ga.           |
| 5       | 532 12 15-20        | Strap Torque 30 degrees   | 84      | 532 16 56-21        | Link Shift CRD Pmst 18" Tires         |
| 6       | <b>817 06 05-12</b> | Screw 5/16-18 x 3/4   | 96      | 532 12 47-88        | Spring, Retainer 1"                   |
| 8       | 532 16 56-19        | Rod Shift Fender Adjust Lt  | 112     | 819 09 12-10        | Washer 9/32 x 3/4 x 10 Ga.            |
| 9       | 532 18 03-54        | Clutch Noram  | 120     | 873 90 06-00        | Nut Lock Flg. 3/8-16 UNC              |
| 10      | 876 02 04-16        | Pin, Cotter 1/8 x 1   | 145     | 874 49 05-40        | Bolt Hex FGHD 5/16-18 x Gr 5          |
| 11      | 532 10 57-01        | Washer Plate Shf .3888 sq hole  | 150     | 532 16 58-50        | Bushing, Bellcrank Grnd Dr            |
| 13      | 874 55 04-12        | Bolt 1/4-28 Unf Gr 8 w/patch  | 151     | 819 13 32-10        | Washer 13/32 x 2 x 10 Ga.             |
| 14      | 810 04 04-00        | Washer, Lock Hvy Helical  | 156     | 532 16 60-02        | Washer Srred 5/16 ID x 1.125          |
| 16      | 873 80 05-00        | Nut, Lock Hex w/Ins 5/16-18<br>UNC                                      | 158     | 532 16 55-89        | Bracket Shift Mount                   |
| 18      | 874 78 06-16        | Bolt Hex 3/8-16 UNC x 1 Gr.5  | 159     | <b>532 18 39-00</b> | Hub Tapered Flange Shift Lt           |
| 19      | 873 80 06-00        | Nut, Lock Hex w/Wsh 3/8-16 UNC  | 160     | 819 29 20-16        | Washer 29/32 x 1-1/4 x 16 Ga.         |
| 21      | 532 10 69-33        | Knob Rd 1/2-13 Plstc Thds Blk   | 161     | 872 14 04-06        | Bolt Rdhd Sqnk 1/4-20 x 3/4 Gr 5      |
| 22      | 532 17 56-07        | Rod, Brake CRD  | 162     | 873 68 04-00        | Nut Crownlock 1/4-20 Unc              |
| 24      | 873 35 06-00        | Nut   | 163     | 874 78 04-16        | Bolt Hex Fin 1/4-20 Unc x 1 Gr 5      |
| 25      | 532 10 68-88        | Spring, Rod, Brake  | 164     | 819 09 10-10        | Washer 5/8 x .281 x 10 Ga.            |
| 26      | 819 13 13-16        | Washer 13/32 x 13/16 x 16 Ga.   | 165     | 532 16 56-23        | Bracket Pivot Lever                   |
| 27      | 876 02 04-12        | Pin, Cotter 1/8 x 3/4   | 166     | 532 16 68-80        | Screw 5/16-18 x 5/8                   |
| 28      | 532 17 57-65        | Rod, Parking Brake  | 167     | 532 16 55-88        | Bracket Support Shift CRD             |
| 29      | 532 07 16-73        | Cap, Brake Parking Black  | 168     | 532 16 54-92        | Bolt Shoulder 5/16-18 x .561          |
| 30      | 532 17 49-73        | Bracket, Mfg. Transaxle   | 171     | 817 49 06-08        | Screw Thdrol 3/8-16 x 1/2 Ty-Tt       |
| 34      | 532 17 55-78        | Shaft, Asm Pedal Foot   | 172     | 532 16 56-35        | Shaft Asm Shift Front CRD PMST        |
| 35      | 532 12 01-83        | Bearing, Nylon  | 177     | 532 16 59-32        | Keeper Flat Idler 3.06" CRD           |
| 36      | 819 21 16-16        | Washer 21/32 x 1 x 16 Ga.   | 178     | 532 16 59-33        | Keeper Belt Idler 1.88" CRD           |
| 37      | 532 12 49-63        | Pin, Roll 3/16 x 1"   | 179     | 532 12 09-58        | Washer Sintered                       |
| 38      | 532 16 59-36        | Pulley, Flat  | 180     | 532 16 56-30        | Pulley Flat Idler                     |
| 39      | 874 76 06-44        | Bolt Fin Hex 3/8-16 Unc x 2-3/4   | 181     | 532 18 02-11        | Bracket Idler Ground Drive CRD        |
| 40      | 532 12 49-65        | Spacer, Split 395 x 59 Bzp  | 182     | 532 18 26-82        | Keeper Belt 2.5" Od V-Idler CRD       |
| 42      | 819 13 13-12        | Washer 13/32 x 13/16 x 12 Ga.   | 183     | <b>532 18 60-07</b> | Pulley V-Idler                        |
| 43      | 819 11 10-12        | Washer 11/32 x 5/8 x 12 Ga.   | 184     | 817 49 06-44        | Screw Hexwsh Thdrol 3/8-16 x<br>2-3/4 |
| 47      | 532 12 77-83        | Pulley, Idler, V Groove Plstc   | 187     | 817 58 05-20        | Screw 5/16-18 x 1.25                  |
| 48      | 532 15 44-07        | Bellcrank Clutch Grnd Drv   | 203     | 871 17 07-80        | Bolt Hex 7/16-20 x 5                  |
| 49      | 532 12 32-05        | Retainer, Belt Style Spring   | 214     | 532 17 56-09        | Shaft Asm Brake                       |
| 50      | 872 11 06-12        | Bolt Carr. 3/8-16 x 1-1/2 Gr. 5   | 215     | 532 17 56-51        | Rod Brake Secondary                   |
| 51      | 873 68 06-00        | Nut, Crownlock 3/8-16 UNC   | 250     | 817 06 06-12        | Screw 3/8-16 x .75                    |
| 53      | 532 10 57-10        | Link, Clutch 7.66   | 253     | 532 17 50-28        | Bracket Cable Chassis                 |
| 55      | 532 10 57-09        | Spring, Return, Clutch  | 254     | 817 00 06-16        | Screw 3/8-16 x 1                      |
| 56      | 817 06 06-20        | Screw 3/8-16 x 1-1/4  | 255     | 532 17 56-08        | Brace Shaft Brake Mtg.                |
| 57      | 532 16 56-31        | V-Belt Kev PMST CRD   | 258     | 532 17 80-62        | Clip Retainer                         |
| 62      | 532 12 48-72        | Cover, Pedal  | 261     | 532 13 14-94        | Pulley Idler                          |
| 65      | 810 04 07-00        | Washer  | 263     | 817 00 06-12        | Screw HexWsh Thdr. 3/8-16 x 3/4       |
| 66      | 532 15 47-78        | Keeper, Belt Engine F-Proof   | 264     | 532 18 19-95        | Bracket Clutch Mounting               |
| 74      | 532 13 70-57        | Spacer Axle   | 265     | 532 18 20-13        | Spacer Idler Chassis                  |
| 75      | 532 12 17-49        | Washer 25/32 x 1-1/4 x 16 Ga.   | 266     | 532 18 20-61        | Shield Idler                          |
| 76      | 812 00 00-01        | Ring, E   | 267     | 872 14 06-26        | Bolt Rdhd 3/8-16unc x 3-1/4           |
| 77      | 532 12 35-83        | Key, Square   | 269     | 532 18 24-02        | Guard Muffler RH                      |
| 78      | 532 12 17-48        | Washer 25/32 x 1-5/8 x 16 Ga.   |         |                     |                                       |

**NOTE:** All component dimensions given in U.S. inches  
1 inch = 25.4 mm



# REPAIR PARTS

TRACTOR- -MODEL NO.LT2114CM (J2114CMB) PRODUCT NO. 954 13 00-91  
STEERING ASSEMBLY



## REPAIR PARTS

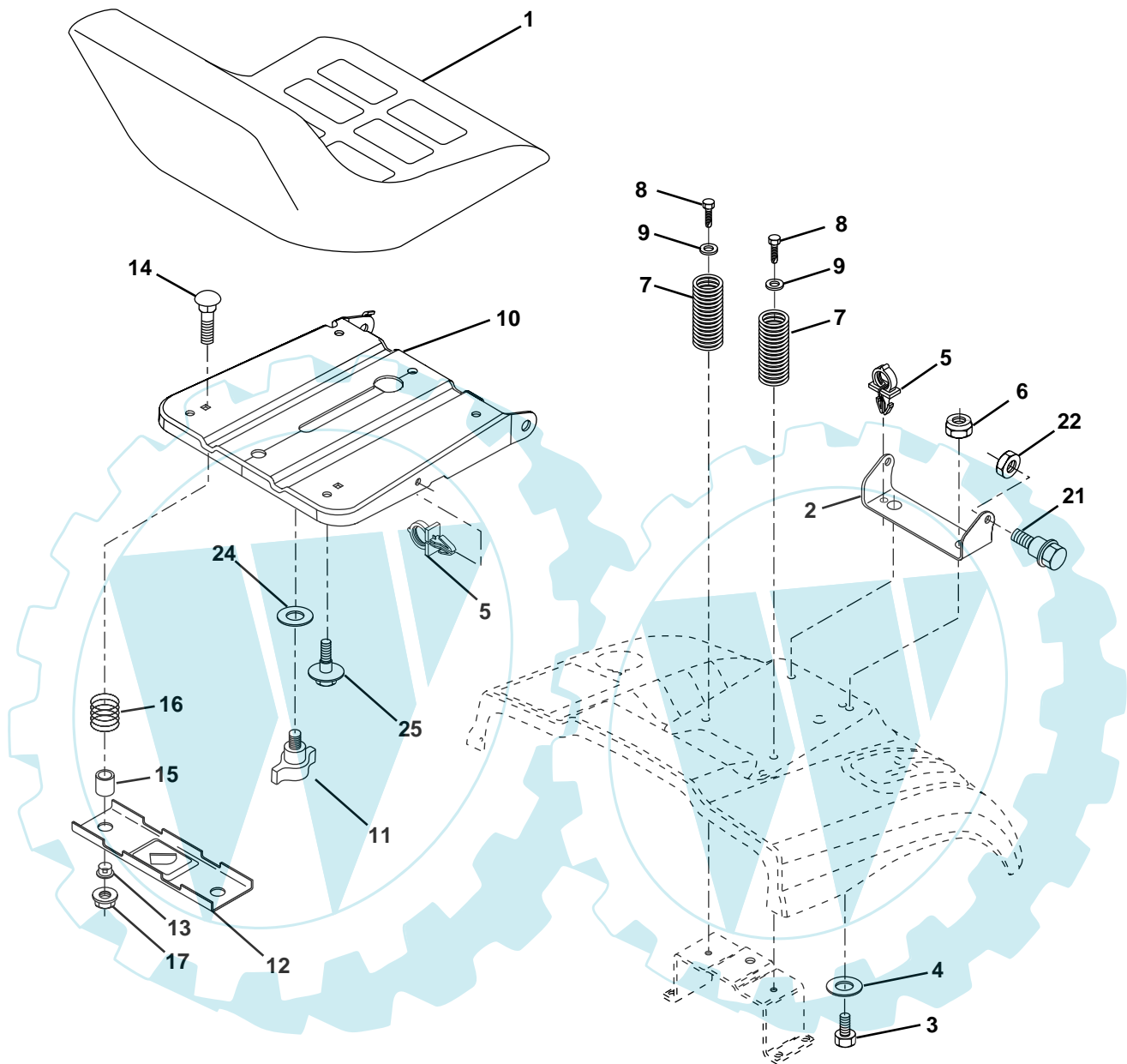
TRACTOR- -MODEL NO.LT2114CM (J2114CMB) PRODUCT NO. 954 13 00-91  
STEERING ASSEMBLY

| KEY NO. | PART NO.     | DESCRIPTION                      |
|---------|--------------|----------------------------------|
| 1       | 532 17 20-92 | Steering Wheel                   |
| 2       | 532 18 47-06 | Axle Asm Cast Iron Lt            |
| 3       | 532 16 98-40 | Spindle Assembly, L.H.           |
| 4       | 532 16 98-39 | Spindle Assembly, R.H.           |
| 5       | 532 12 49-31 | Washer, Thrust .75 x 1.230       |
| 6       | 532 12 17-48 | Washer 25/32 x 1-5/8 x 16 Gauge  |
| 8       | 812 00 00-29 | Ring, Klip                       |
| 10      | 532 17 51-21 | Link, Drag                       |
| 11      | 810 04 06-00 | Washer, Lock                     |
| 12      | 873 94 08-00 | Nut Hex Jam Toplock 1/2-20 Unf   |
| 13      | 532 13 65-18 | Spacer Brg Axle Front            |
| 15      | 532 14 52-12 | Nut, Hex Flange Lock             |
| 17      | 532 18 06-41 | Shaft Assembly, Steering         |
| 29      | 817 06 06-12 | Screw 3/8-16 x 3/4               |
| 32      | 532 17 01-62 | Rod, Tie                         |
| 33      | 819 11 12-16 | Washer 11/32 x 3/4 x 16 Ga.      |
| 34      | 810 04 05-00 | Washer Lock Hvy Hlcl Spr 5/16    |
| 35      | 873 54 05-00 | Crownlock Nut 5/16-24 Unf        |
| 36      | 532 15 50-99 | Bushing, Steering                |
| 37      | 532 15 29-27 | Screw TT #10-32 x 5 x 3/8 Flange |
| 38      | 532 17 20-93 | Cap Wheel Steering               |
| 39      | 819 18 24-11 | Washer 9/16 x 1-1/2 x 11 Ga.     |
| 40      | 532 12 47-01 | Nut Lock Center 3/8-24 Unf       |
| 41      | 532 15 99-45 | Adaptor, Steering Wheel          |
| 42      | 532 16 96-33 | Boot, Steering Dash P/L Mtl      |
| 43      | 532 12 17-49 | Washer 25/32 x 1-1/4 x 16 Gauge  |
| 44      | 532 18 06-40 | Extension Steering               |
| 46      | 532 12 12-32 | Cap, Spindle                     |
| 51      | 873 54 04-00 | Nut Crownlock 1/4-28             |
| 54      | 871 13 04-20 | Bolt Hex 1/4-28 Unf x 1-1/4      |
| 65      | 532 16 03-67 | Spacer Brace Axle                |
| 67      | 872 14 06-18 | Bolt Rdhd Sq 3/8-16 x 2-1/4      |
| 68      | 532 16 98-27 | Brace Axle                       |
| 71      | 532 17 51-46 | Steering Asm.                    |
| 82      | 532 16 98-35 | Bracket Susp Chassis Front 15"   |
| 87      | 532 17 39-66 | Washer Flat .781 x 1-1/2 x .14   |
| 88      | 532 17 51-18 | Bolt Shoulder 7/16-20 UNC        |
| 91      | 532 17 55-53 | Clip Steering                    |

**NOTE:** All component dimensions given in U.S. inches.  
1 inch = 25.4 mm.

# REPAIR PARTS

TRACTOR- -MODEL NO.LT2114CM (J2114CMB) PRODUCT NO. 954 13 00-91  
SEAT ASSEMBLY



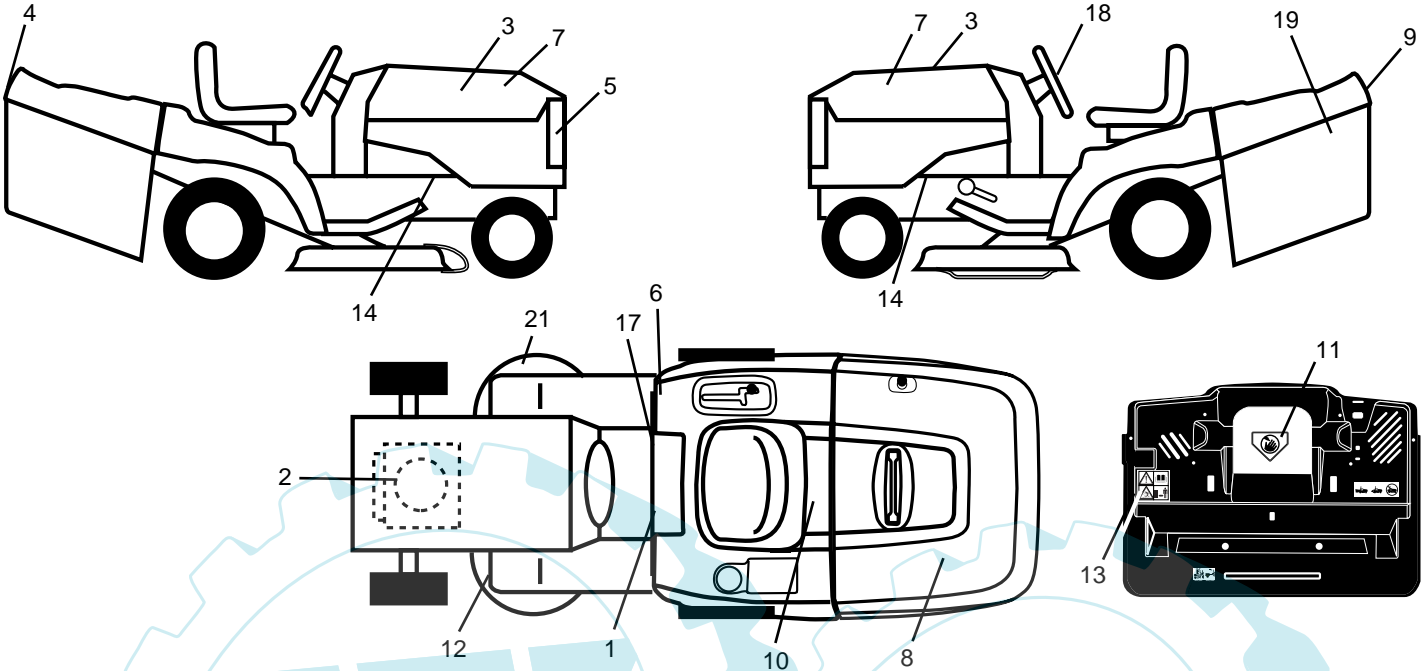
| KEY NO. | PART NO.     | DESCRIPTION                      |
|---------|--------------|----------------------------------|
| 1       | 532 14 01-17 | Seat                             |
| 2       | 532 14 05-51 | Bracket Pnt Pivot Seat (blk )    |
| 3       | 871 11 06-16 | Bolt Fin Hex 3/8-16 x 1          |
| 4       | 819 13 16-10 | Washer Flat 13/32 x 1 x 10 Ga.   |
| 5       | 532 14 50-06 | Clip Push In Hinged              |
| 6       | 873 80 06-00 | Nut Lock w/Ins. 3/8-16           |
| 7       | 532 12 41-81 | Spring Seat Cprsn 2 250 Blk Zi   |
| 8       | 817 00 06-16 | Screw 3/8-16 X 1.5 Smgml Tap/R.Z |
| 9       | 819 13 16-14 | Washer 13/32 X 1 X 14 Ga         |
| 10      | 532 18 24-93 | Pan Assembly Seat                |
| 11      | 532 16 63-69 | Knob Seat Adj. Wingnut           |
| 12      | 532 12 12-46 | Bracket Pnt Mounting Switch      |

| KEY NO. | PART NO.     | DESCRIPTION                    |
|---------|--------------|--------------------------------|
| 13      | 532 12 12-48 | Bushing Snap Blk Nyl 50 Id     |
| 14      | 872 05 04-12 | Bolt Rdhd Sht Nk 1/4-20x1-1/2  |
| 15      | 532 13 43-00 | Spacer Split                   |
| 16      | 532 12 12-50 | Spring Cprsn Plate SW 1.310 Ga |
| 17      | 532 12 39-76 | Nut Lock 1/4 Lge Flg Gr 5 Zinc |
| 21      | 532 17 18-52 | Bolt Shoulder 5/16-18 Unc-2A   |
| 22      | 873 80 05-00 | Nut Hex Lock w/Ins 5/16-18     |
| 24      | 819 17 19-12 | Washer 17/32 X 1-3/16 X 12 Ga. |
| 25      | 532 12 70-18 | Bolt Shoulder 5/16-18 X 62     |

**NOTE:** All component dimensions given in U.S. inches.  
1 inch = 25.4 mm

# REPAIR PARTS

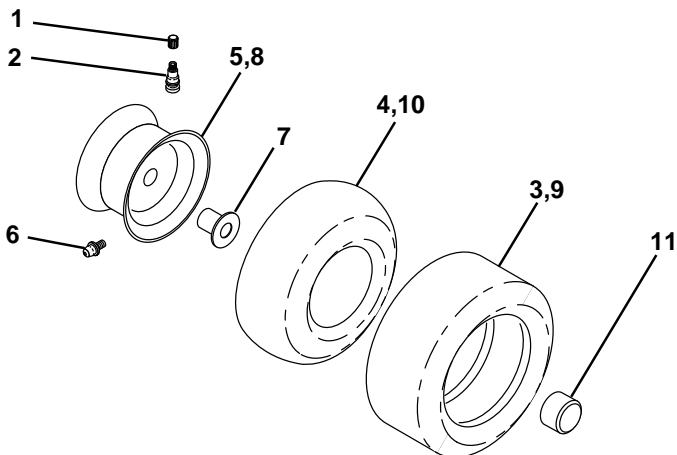
TRACTOR- -MODEL NO.LT2114CM (J2114CMB) PRODUCT NO. 954 13 00-91  
DECALS



| KEY NO. | PART NO.     | DESCRIPTION                   |
|---------|--------------|-------------------------------|
| 1       | 532 14 54-98 | Decal Read Owner's Manual Sym |
| 2       | 532 18 04-31 | Decal Hp Engine               |
| 3       | 532 18 39-29 | Decal Hood                    |
| 4       | 532 18 39-33 | Decal Fender Cat. No.         |
| 5       | 532 18 51-85 | Decal Grille Logo             |
| 6       | 532 18 04-32 | Decal 100 DB/CE               |
| 7       | 532 16 29-27 | Decal Hood Insert             |
| 8       | 532 18 39-31 | Decal Bagger                  |
| 9       | 532 18 39-30 | Decal Fender Logo             |
| 10      | 532 14 50-05 | Decal Bat Dan/Poi P/L Sym Wpn |
| 11      | 532 18 21-66 | Decal Mower Cut Finger Symbol |
| 12      | 532 15 97-37 | Decal Brake/Clutch Symbol Lt  |

| KEY NO. | PART NO.            | DESCRIPTION                |
|---------|---------------------|----------------------------|
| 13      | 532 18 04-35        | Decal Warn Back Plate CRD  |
| 14      | 532 15 97-36        | Decal Chassis Hot Muffler  |
| 17      | 532 14 08-37        | Decal Saddle Brake Parking |
| 18      | <b>532 18 57-73</b> | Decal Ins Strg Whl         |
| 19      | 532 18 26-21        | Decal Bagger Frame Assy.   |
| 21      | 532 16 62-86        | Decal Deck Sch 92 CRD      |
| —       | 532 13 83-11        | Decal Lift Handle          |
| —       | 532 18 10-91        | Pad FTREST LH              |
| —       | 532 18 10-90        | Pad FTREST RH              |
| —       | 532 18 39-50        | Manual Operator's (Euro)   |
| —       | 532 18 39-51        | Manual Operator's (Scand)  |

## WHEELS & TIRES

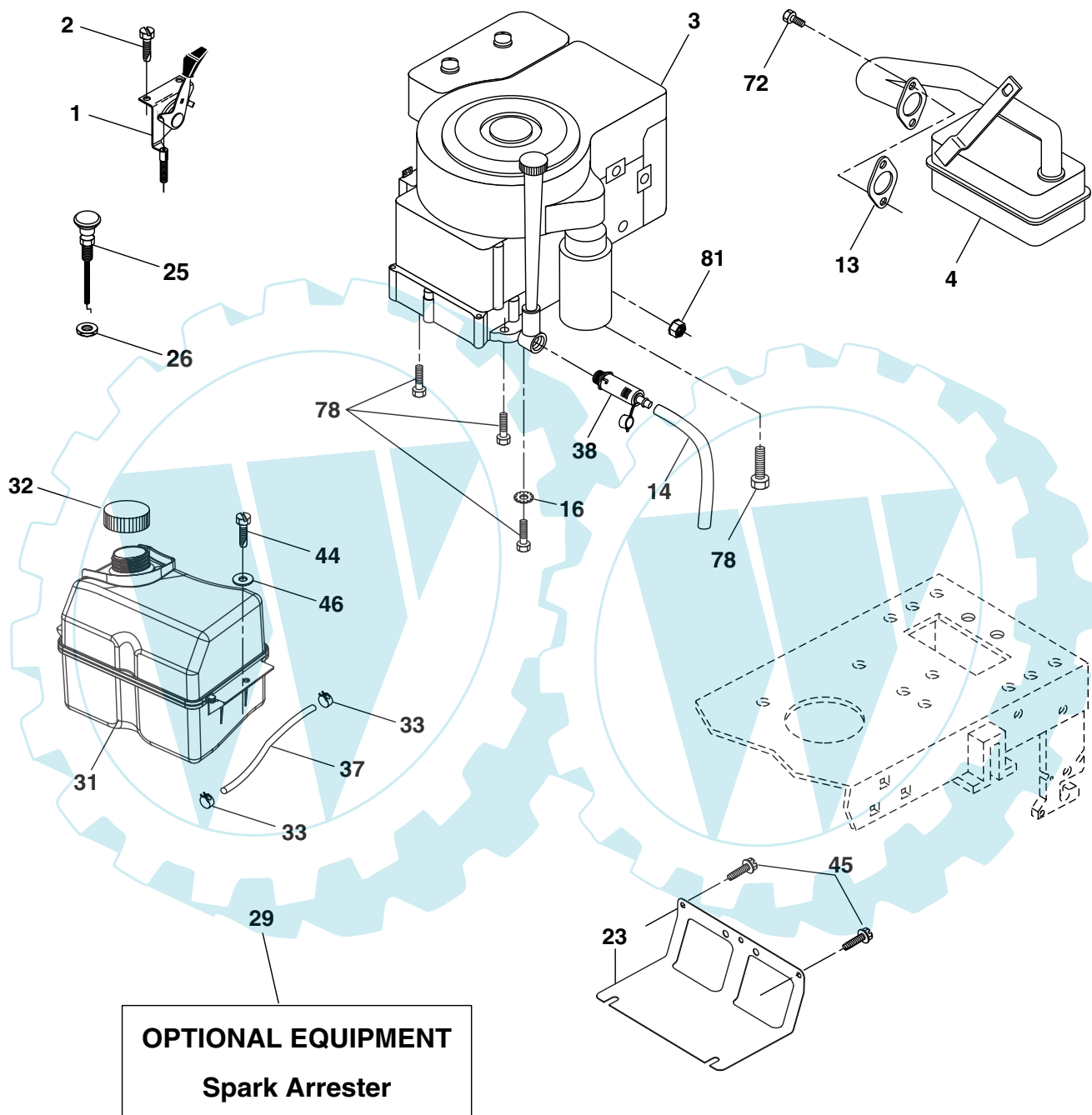


| KEY NO. | PART NO.     | DESCRIPTION                    |
|---------|--------------|--------------------------------|
| 1       | 532 05 91-92 | Cap Value Tire                 |
| 2       | 532 06 51-39 | Stem Value                     |
| 3       | 532 10 62-22 | Tire F Ts 15 X 6 0 - 6 Service |
| 4       | 532 05 99-04 | Tube Inner Front #35060        |
| 5       | 532 13 83-36 | Rim Asm 6"front Silver Service |
| 6       | 532 12 49-57 | Fitting Grease                 |
| 7       | 532 12 49-59 | Bearing Flange                 |
| 8       | 532 13 83-37 | Rim Asm 8"rear Silver Service  |
| 9       | 532 12 46-35 | Tire R Ts 18 x 8.5-8 Service   |
| 10      | 532 12 49-26 | Tube Rear 9 5 X 8 Service      |
| 11      | 532 17 50-39 | Cap Axle Blk 1 50 X 1 00       |
| --      | 532 14 43-34 | Sealant, Tire (10 oz. tube)    |

**NOTE:** All component dimensions given in U.S. inches  
1 inch = 25.4 mm

# REPAIR PARTS

TRACTOR- -MODEL NO.LT2114CM (J2114CMB) PRODUCT NO. 954 13 00-91  
ENGINE



## REPAIR PARTS

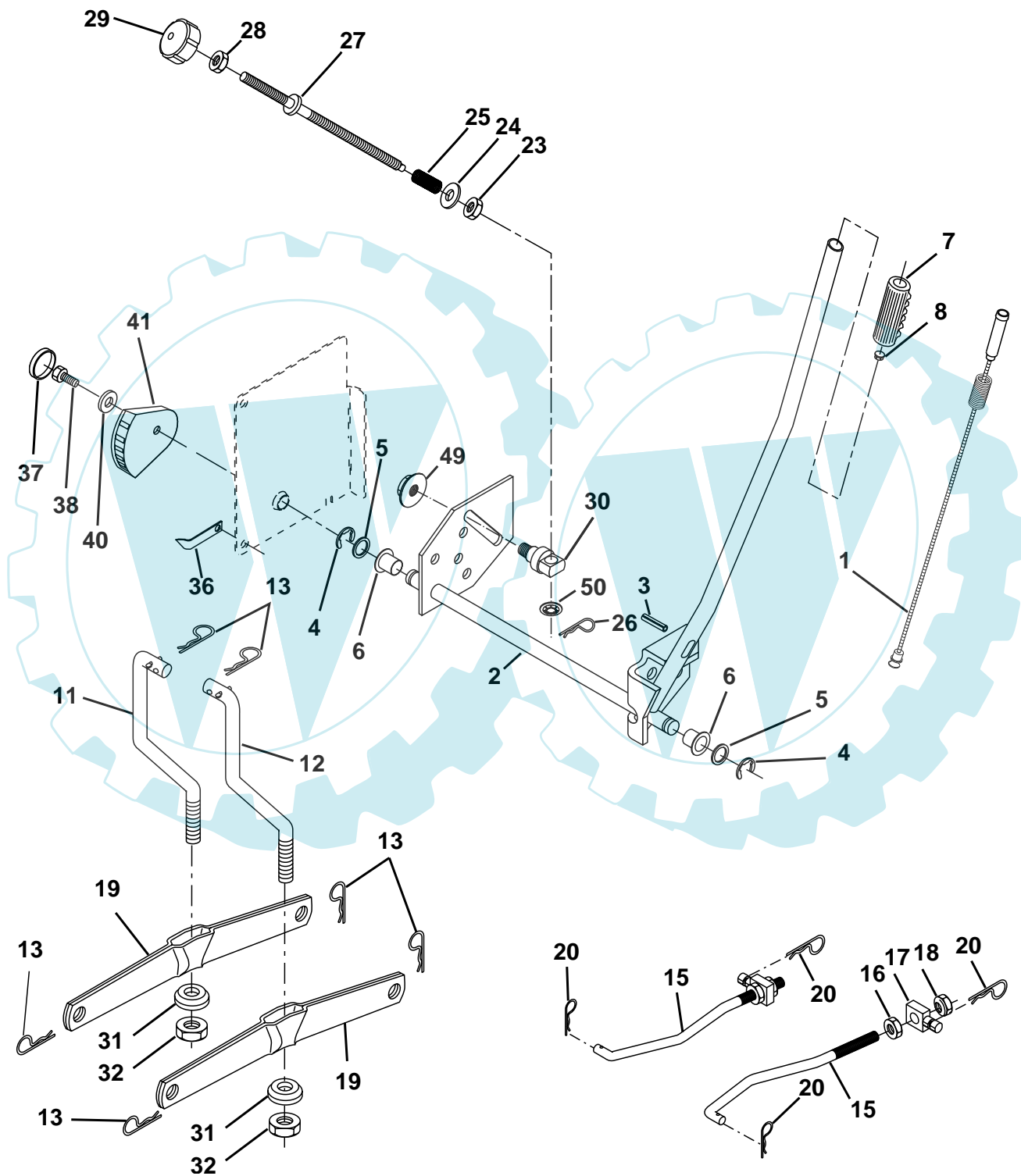
TRACTOR- -MODEL NO.LT2114CM (J2114CMB) PRODUCT NO. 954 13 00-91  
ENGINE

| KEY NO. | PART NO.            | DESCRIPTION   |
|---------|---------------------|---|
| 1       | 532 17 05-51        | Control Throt /Ch Flag  |
| 2       | 817 72 04-08        | Screw Hex Thd Cut 1/4-20 x 1/2  |
| 3       | -----               | Engine Briggs & Stratton 31G777<br>(Order Parts from Engine Manufacturer) |
| 4       | 532 13 73-52        | Muffler Exhaust B&S Lt  |
| 13      | 532 16 52-91        | Gasket 1 313 Id Tin Plated  |
| 14      | 532 14 84-56        | Tube Drain Oil Easy   |
| 16      | 811 05 06-00        | Washer Lock Ext Tooth 3/8   |
| 23      | 532 16 98-37        | Shield Browning/Debris Guard  |
| 25      | 532 18 09-45        | Control Choke   |
| 26      | 873 92 06-00        | Nut Keps 3/8-24 Unf   |
| 29      | 532 13 71-80        | Arrestor Spark  |
| 31      | <b>532 18 55-34</b> | Tank Fuel 2.00 Fr   |
| 32      | 532 14 05-27        | Cap Asm Fule Top Vent N/Lany  |
| 33      | 532 12 34-87        | Clamp Hose Blk  |
| 37      | 532 13 70-40        | Line Fuel 20"   |
| 38      | 532 18 16-54        | Plug Drain Oil Easy   |
| 44      | 817 67 04-12        | Screw Hexwsh Thdrol 1/4-20 x 3/4  |
| 45      | 817 00 06-12        | Screw Hexwsh Thdr 3/8-16 x 3/4  |
| 46      | 819 09 14-16        | Washer 9/32 x 7/8 x 16ga  |
| 72      | <b>532 18 39-06</b> | Screw Head Socket 5/16-18 x 1   |
| 78      | 817 06 06-20        | Screw 3/8-16 x 1-1/4 Smgml Tap/R  |
| 81      | 873 51 04-00        | Nut Keps Hex 1/4-20 Unc   |

**NOTE:** All component dimensions given in U.S. inches  
1 inch = 25.4 mm

# REPAIR PARTS

TRACTOR- -MODEL NO.LT2114CM (J2114CMB) PRODUCT NO. 954 13 00-91  
MOWER LIFT



## REPAIR PARTS

TRACTOR- -MODEL NO.LT2114CM (J2114CMB) PRODUCT NO. 954 13 00-91  
MOWER LIFT

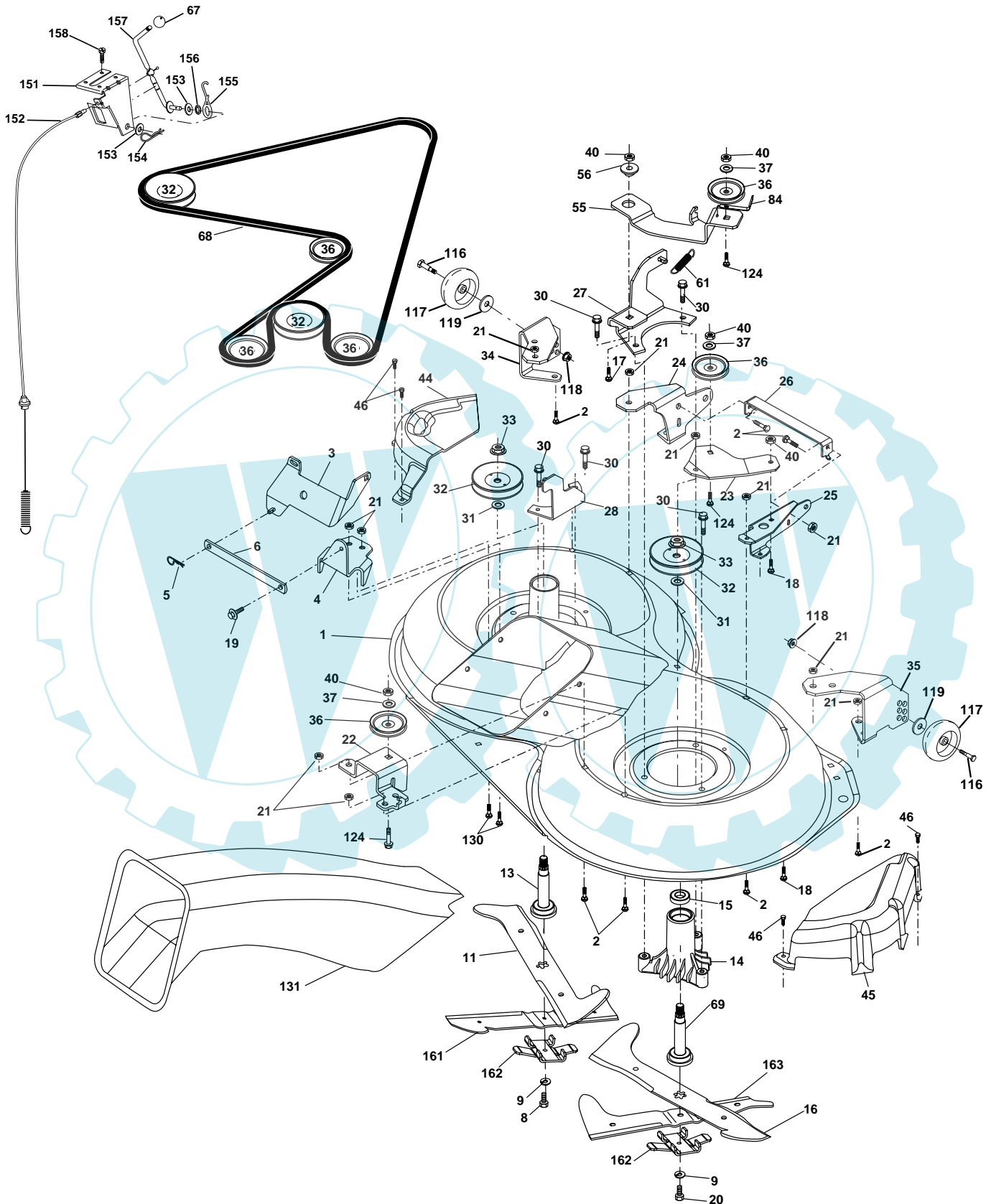
| KEY NO. | PART NO.     | DESCRIPTION                           |
|---------|--------------|---------------------------------------|
| 1       | 532 15 94-60 | Washer Asm Inner Spring W/<br>Plunger |
| 2       | 532 15 94-71 | Shaft Asm. Lift                       |
| 3       | 532 10 57-67 | Pin Groove                            |
| 4       | 812 00 00-02 | E Ring #5133-62                       |
| 5       | 819 21 16-21 | Washer 21/32 x 1 x 21 Ga.             |
| 6       | 532 12 01-83 | Bearing Nylon                         |
| 7       | 532 12 56-31 | Grip Handle                           |
| 8       | 532 12 45-26 | Button Plunger                        |
| 11      | 532 16 58-29 | Link Asm Lift L.H.                    |
| 12      | 532 16 58-31 | Link Asm Lift R.H.                    |
| 13      | 532 12 46-70 | Retainer Spring                       |
| 15      | 532 17 32-88 | Link Front                            |
| 16      | 873 35 08-00 | Nut Jam Hex 1/2-13 Unc                |
| 17      | 532 17 56-89 | Trunnion Blk Zinc                     |
| 18      | 873 80 08-00 | Nut Lockwasher 1/2-13 Unc             |
| 19      | 532 13 98-68 | Arm Suspension Mower                  |
| 20      | 532 16 35-52 | Retainer Spring                       |
| 23      | 532 11 08-07 | Nut Special                           |
| 24      | 819 13 10-16 | Washer 13/32 x 5/8 x 16 Ga.           |
| 25      | 532 12 48-74 | Spring 2-1/8                          |
| 26      | 532 16 94-84 | Retainer Clip                         |
| 27      | 532 12 69-71 | Rod Adj Lift Zinc                     |
| 28      | 873 35 06-00 | Nut Hex Jam 3/8-16 Unc                |
| 29      | 532 13 80-57 | Knob Inf 3/8-16 unc                   |
| 30      | 532 15 02-33 | Trunnion Infin Height                 |
| 31      | 532 16 98-65 | Bearing, Pvt. Lift.                   |
| 32      | 873 54 06-00 | Nut Crownlock 3/8-24                  |
| 36      | 532 15 50-97 | Pointer Height Indicator              |
| 37      | 532 12 39-35 | Plug Hole Blk                         |
| 38      | 817 06 05-16 | Screw 5/16-18 x 1 Smgml Tap/R         |
| 40      | 819 11 24-10 | Washer 11/32 x 1-1/2 x 10 Ga          |
| 41      | 532 12 39-34 | Scale Ind Height Blk                  |
| 49      | 532 14 52-12 | Nut Hex flange lock                   |
| 50      | 532 11 04-52 | Nut Push Phos &Oil                    |

**NOTE:** All component dimensions given in U.S. inches  
1 inch = 25.4 mm



# REPAIR PARTS

TRACTOR- -MODEL NO.LT2114CM (J2114CMB) PRODUCT NO. 954 13 00-91  
MOWER



# REPAIR PARTS

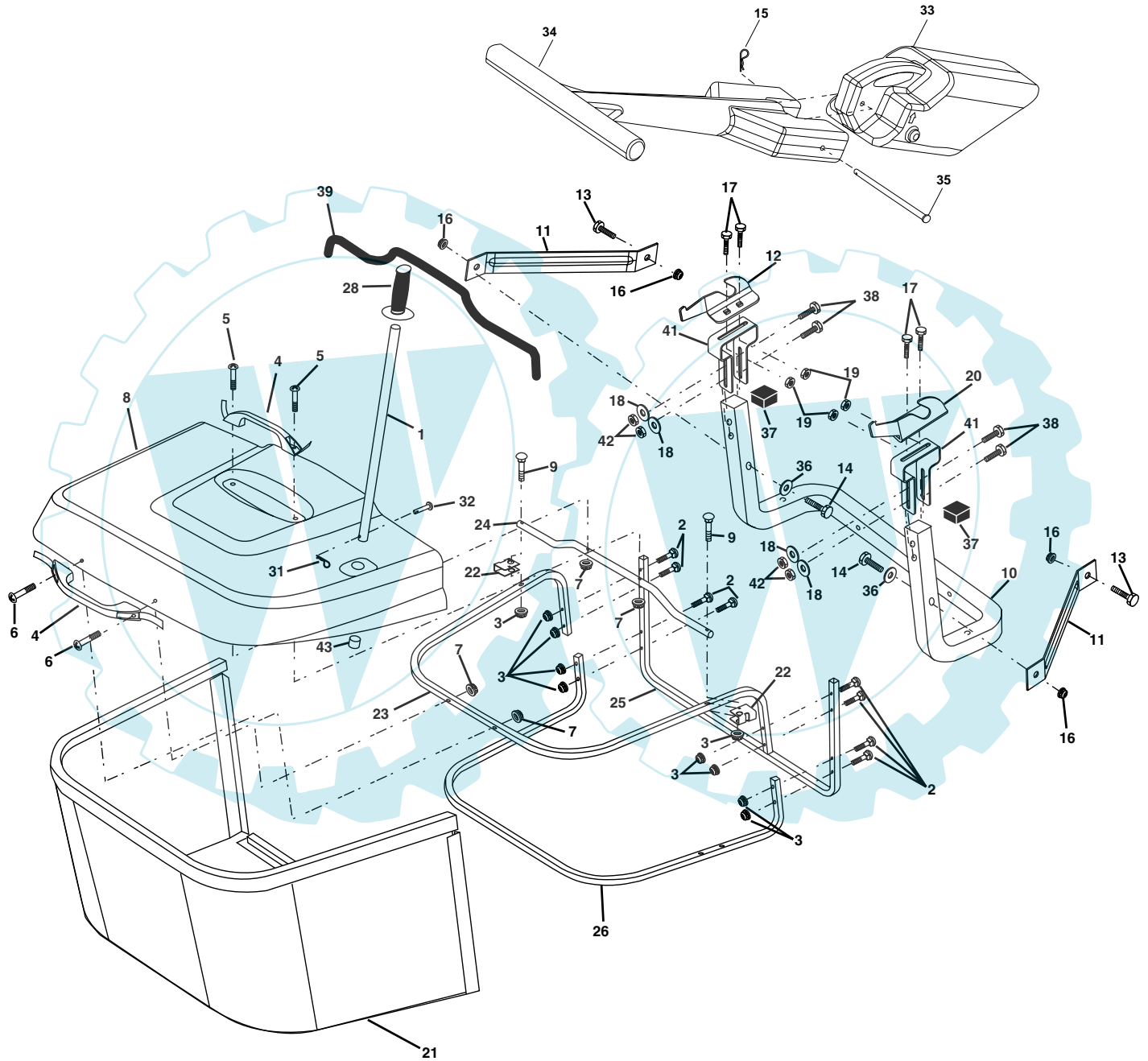
**TRACTOR- -MODEL NO.LT2114CM (J2114CMB) PRODUCT NO. 954 13 00-91  
MOWER**

| KEY NO. | PART NO.     | DESCRIPTION                       | KEY NO. | PART NO.     | DESCRIPTION                     |
|---------|--------------|-----------------------------------|---------|--------------|---------------------------------|
| 1       | 532 16 55-52 | Housing Asm. Mower 92 CRD         | 44      | 532 17 55-38 | Cover Mandrel Lh 92 CRD         |
| 2       | 872 14 05-06 | Bolt Rdhd Sqnk 5/16-18 Unc x 3/4  | 45      | 532 17 55-39 | Cover Mandrel Rh 92 CRD         |
| 3       | 532 16 55-69 | Bracket Asm. S-Bar Chass 92 CRD   | 46      | 532 13 77-29 | Screw Thd Roll 1/4-20 x 5/8     |
| 4       | 532 16 55-58 | Bracket Bar Sway Deck 92 CRD      | 55      | 532 16 54-45 | Arm Idler 92 CRD                |
| 5       | 532 12 46-70 | Retainer Spring                   | 56      | 532 16 57-23 | Spacer Retainer Mower           |
| 6       | 532 16 55-57 | Bar Sway 92 CRD                   | 61      | 532 16 59-45 | Spring Tension Belt             |
| 8       | 532 18 17-12 | Bolt 3/8-24 x 1.25 Gr8 Patched    | 67      | 532 10 69-32 | Knob Rd 3/8-16 Plstc Thds Blk   |
| 9       | 810 03 06-00 | Washer Lock Hvy 3/8 Unplated      | 68      | 532 18 02-17 | Hex-Belt 92 Mower 92            |
| 11      | 532 17 00-37 | Blade 3-1 Lh 92 CRD               | 69      | 532 16 54-82 | Shaft Asm W/Lwr Brg Rh Thd CRD  |
| 13      | 532 13 76-45 | Shaft Asm. W/Lower Bearing        | 84      | 532 15 60-85 | Keeper Belt Idler               |
| 14      | 532 12 87-74 | Housing Mandrel Vented (Machd)    | 116     | 532 18 42-19 | Bolt Shoulder                   |
| 15      | 532 11 04-85 | Bearing Ball Mandrel              | 117     | 532 13 39-57 | Wheel Gage Donut Wide           |
| 16      | 532 17 00-38 | Blade 3-1 Rh 92 CRD               | 118     | 873 93 06-00 | Nut Centerlock 3/8-16 Unc       |
| 17      | 872 14 06-10 | Bolt Carriage 3/8-16 x 1-1/4      | 119     | 819 12 14-14 | Washer 3/8 x 7/8 x 14 Ga.       |
| 18      | 872 11 06-06 | Bolt Rdhd Sqnk 3/8-16 x 3/4 Gr5   | 124     | 872 11 06-12 | Bolt Carr Sh 3/8-16 x 1-1/2 Gr5 |
| 19      | 532 13 28-27 | Bolt Shoulder 5/16-18 Thd Form    | 130     | 872 11 05-06 | Bolt Rdhdsqnk 5/16-18 Unc x 3/4 |
| 20      | 532 18 17-13 | Bolt 3/8-24 x 1.25 Gr8 Ptch Lhthd | 131     | 532 16 56-61 | Chute Bagger CRD 92cm           |
| 21      | 873 68 05-00 | Nut Crown Lock 5/16-18            | 151     | 532 16 96-70 | Bracket Clutch Cable            |
| 22      | 532 16 52-43 | Bracket Idler Sprt RR 92 CRD      | 152     | 532 17 60-74 | Clutch Cable CRD                |
| 23      | 532 16 54-46 | Bracket Idler Sprt RF 92 CRD      | 153     | 532 16 96-74 | Washer Flat 3/8" Tupe B         |
| 24      | 532 16 52-42 | Bracket Suspension LF 92 CRD      | 154     | 532 16 96-75 | Spring Retainer                 |
| 25      | 532 16 52-44 | Bracket Suspension RF 92 CRD      | 155     | 532 16 96-71 | Spring Retention Lvr Cltch Cab  |
| 26      | 532 16 52-37 | Brace Support Susp Frt CRD        | 156     | 532 16 96-72 | Spacer Clutch Cable             |
| 27      | 532 16 55-68 | Bracket Asm. Susp RR 92 CRD       | 157     | 532 16 96-69 | Rod Clutch Cable 3/8"           |
| 28      | 532 16 55-67 | Bracket Asm. Susp LR 92 CRD       | 158     | 817 72 04-08 | Screw Hex Thd Cut 1/4-20 x 1/2  |
| 30      | 532 17 39-84 | Screw Thd Rolling Washer Head     | 161     | 532 18 04-18 | Blade Cross LH                  |
| 31      | 532 12 99-63 | Washer Spacer Mower Vented        | 162     | 532 18 60-13 | Adapter Blade Cross             |
| 32      | 532 15 35-31 | Mandrel Pulleys 36 & 46           | 163     | 532 18 04-19 | Blade Cross RH                  |
| 33      | 532 17 83-42 | Nut Flg Top Lock Cntr B 9/16      | --      | 532 18 18-57 | Mandrel Asm Service             |
| 34      | 532 16 52-39 | Bracket Gauge Wheel Lf 92 CRD     | --      | 532 18 18-58 | Mandrel Asm CRD Lh Threads SVC  |
| 35      | 532 16 52-38 | Bracket Gauge Wheel Rf 92 CRD     | --      | 532 18 17-65 | Replacement Mower Complete      |
| 36      | 532 14 67-63 | Pulley Idler V-Groove Dim 4.25    |         |              |                                 |
| 37      | 819 13 13-16 | Washer 11/32 x 13/16 x 16 Ga      |         |              |                                 |
| 40      | 873 68 06-00 | Nut Crownlock 3/8-16 Unc          |         |              |                                 |

**NOTE:** All component dimensions given in U.S. inches  
1 inch = 25.4 mm

# REPAIR PARTS

TRACTOR- -MODEL NO.LT2114CM (J2114CMB) PRODUCT NO. 954 13 00-91  
BAGGER



## REPAIR PARTS

TRACTOR- -MODEL NO.LT2114CM (J2114CMB) PRODUCT NO. 954 13 00-91  
BAGGER

| KEY NO. | PART NO.            | DESCRIPTION                           |
|---------|---------------------|---------------------------------------|
| 1       | 532 16 52-49        | Tube Handle Bagger CRD                |
| 2       | 872 14 04-16        | Bolt Carriage 1/4-20 x 2.0 Gr.5       |
| 3       | 532 12 39-76        | Nut Lock 1/4 Lge Flg Gr. 5 Zinc       |
| 4       | 532 16 99-16        | Handle Grab Plastic Black W/Lvrs      |
| 5       | 874 98 10-24        | Screw Pan Head #10-24 x 1.50 Blk      |
| 6       | 874 98 10-32        | Screw Pan Hd                          |
| 7       | 873 40 10-00        | Nut Wiz Lock Hex Serr/Hd 10-24        |
| 8       | 532 18 13-54        | Cover Bagger                          |
| 9       | 872 14 04-18        | Bolt Carriage 1/4-20 x 2.25d x Gr.5   |
| 10      | 532 18 12-82        | Tube Support Bagger CRD               |
| 11      | 532 16 57-19        | Bracket Support Upper Bag CRD         |
| 12      | 532 16 96-85        | Bracket Horiz Adj. Bagger Lh CRD      |
| 13      | 872 11 06-06        | Bolt Rdhd Sht Sqnk 3/8-16 x 3/4       |
| 14      | 874 52 06-36        | Bolt Fin Hex 3/8-16 x 2-1/4 Gr.5      |
| 15      | 532 12 46-70        | Retainer Spring                       |
| 16      | 873 90 06-00        | Nut Lock Flg 3/8-16 Unc               |
| 17      | 872 14 05-06        | Bolt Rdhd Sht Sqnk 5/16 -18 Unc x 3/4 |
| 18      | 819 11 12-16        | Washer 11/32 x 3/4 x 16 Ga            |
| 19      | 873 90 05-00        | Nut Lock Hex Flange 5/16-18           |
| 20      | 532 16 96-84        | Bracket Horiz Adj Bagger RH CRD       |
| 21      | 532 18 08-80        | Bag Asm CRD                           |
| 22      | 532 16 57-81        | Bracket Side Bagger CRD               |
| 23      | 532 16 57-82        | Tube Upper Bagger CRD                 |
| 24      | 532 16 57-83        | Tube Pivot Bagger CRD                 |
| 25      | 532 18 01-24        | Tube Front Bagger CRD                 |
| 26      | 532 16 57-85        | Tube Lower Bagger CRD                 |
| 28      | 532 16 57-87        | Grip Handle Black                     |
| 31      | <b>532 16 94-84</b> | Retainer Clip Dia. 290                |
| 32      | 532 12 68-75        | Rivet Rd Hd Drilled 3/8 Dia           |
| 33      | 532 16 55-71        | Plug Mulcer 92 CRD                    |
| 34      | 532 16 55-70        | Handle Mulcher 92/107 CRD             |
| 35      | 532 16 55-72        | Pin Mulcher 92/107 CRD                |
| 36      | 819 13 20-16        | Washer 13/32 x 1-1/4 x 16 Ga          |
| 37      | 532 17 54-01        | Plug Support Bagger CRD               |
| 38      | 872 01 05-20        | Bolt 5/16-18 x 2.50                   |
| 39      | 532 18 09-85        | Seal 26"                              |
| 41      | 532 16 96-83        | Bracket Vert Adj. Bagger CRD          |
| 42      | 873 80 05-00        | Nut Lock Hx w/Ins 5/16-18 Unc         |
| 43      | 532 17 40-83        | Plug Tubing End                       |

**NOTE:** All component dimensions given in U.S. inches  
1 inch = 25.4 mm